

Kitchen Furniture

A comprehensive range of benches, sinks and wall cupboards from Lincat, the leading UK manufacturer of commercial catering equipment.

Wall Benches & Centre Tables



L6512CT

L6010WB

- Quick and simple to assemble
- Undershelves for maximum storage space
- Sound deadening pads
- Full stainless steel construction, durable and easy to clean
- Adjustable feet creating level working surface
- Wall benches are available in depths of 600 or 650mm

Wall Cupboards



WL4

WL6

WL7

- Stainless steel construction
- Large capacity and a range of sizes
- Additional shelves available

Sink Units & Wash Basins



L884LH

- Front valance ensures ease of cleaning
- Sound deadening pads under bowls and drainer
- Available with double or single tank and left or right hand drainer
- Tap location - accepts 12mm pillar or mixer taps (not supplied)
- 38mm waste outlet, plug, chain and overflow
- 250mm deep bowls



HWB1

- Constructed from easy to clean type 304 stainless steel
- Tap location - accepts 12mm pillar taps (not supplied)
- Waste outlet, plug, chain and overflow
- 105mm deep bowl

Wall Shelves



SSH9

- Four width sizes
- Manufactured from grade 430 stainless steel
- Supplied complete with brackets

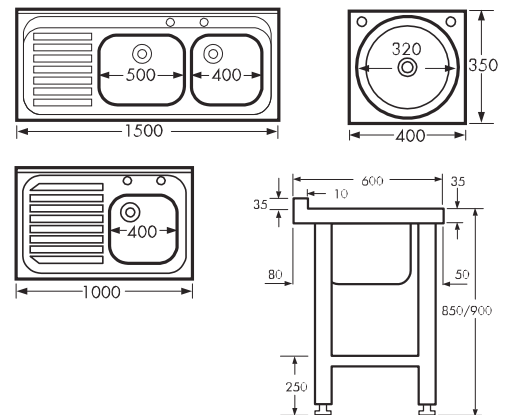
Technical Specifications

Model	Description	External Dimensions HxD (mm)
WL4	Single wall cupboard	600x450x300
WL6	Double wall cupboard	600x600x300
WL7	Double wall cupboard	600x750x300
WL9	Double wall cupboard	600x900x300
SSH9	Shelves	900x300
SSH12	Shelves	1200x300
SSH15	Shelves	1500x300
SSH18	Shelves	1800x300
L6506CT	Centre table	900x600x650
L6509CT	Centre table	900x900x650
L6512CT	Centre table	900x1200x650
L6515CT	Centre table	900x1500x650
L6518CT	Centre table	900x1800x650
L6521CT	Centre table	900x2100x650
L6010WB	Wall bench 600 series	900x1000x600
L6012WB	Wall bench 600 series	900x1200x600
L6015WB	Wall bench 600 series	900x1500x600
L6018WB	Wall bench 600 series	900x1800x600
L6509WB	Wall bench 650 series	900x900x650
L6512WB	Wall bench 650 series	900x1200x650
L6515WB	Wall bench 650 series	900x1500x650
L6518WB	Wall bench 650 series	900x1800x650
L6521WB	Wall bench 650 series	900x2100x650
L881LH	Single sink unit, left hand drainer	900x1000x600
L881RH	Single sink unit, right hand drainer	900x1000x600
L884LH	Double sink unit, left hand drainer	900x1500x600
L884RH	Double sink unit, right hand drainer	900x1500x600
HWB1	Hand wash basin	105x400x350

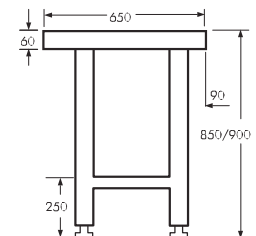
Optional Accessories

- **WLS4** Additional shelf for single cupboard (WL4)
- **WLS6** Additional shelf for double cupboard (WL6)
- **WLS7** Additional shelf for double cupboard (WL7)
- **WLS9** Additional shelf for double cupboard (WL9)
- **TA49** Single pillar taps for handwash basin (HWB1)
- **TA64** Mixer tap for sink units

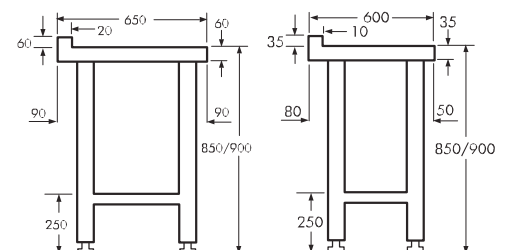
Sink Units



Centre Tables



Wall Benches



QUALITY GUARANTEED

You can choose Lincat products with total confidence. All products in this leaflet are backed by the reassurance of a comprehensive UK twelve-month warranty. It is nothing less than you would expect from Lincat - a company with a long track record as one of Europe's largest and most successful manufacturers of catering equipment.